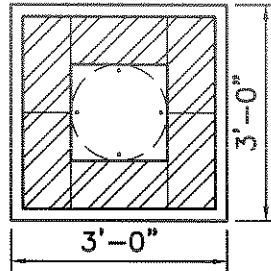
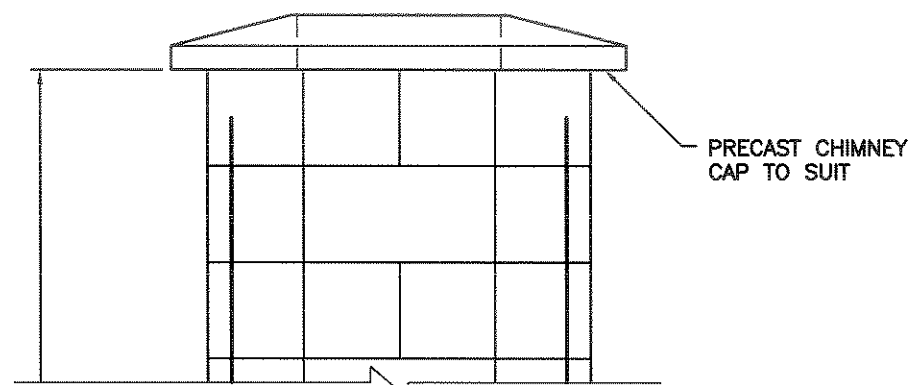


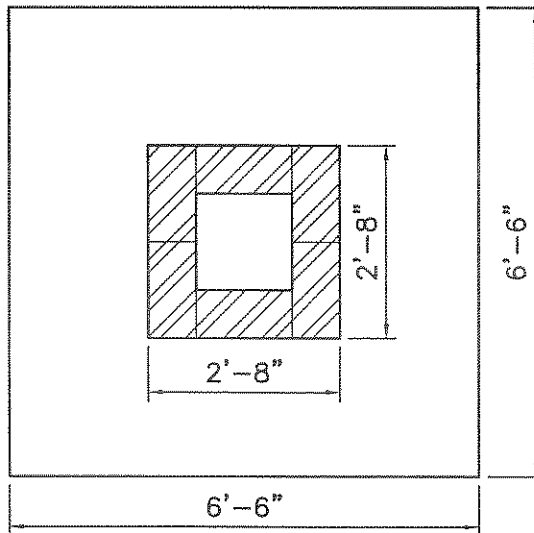
PRECAST CHIMNEY CAP TO SUIT



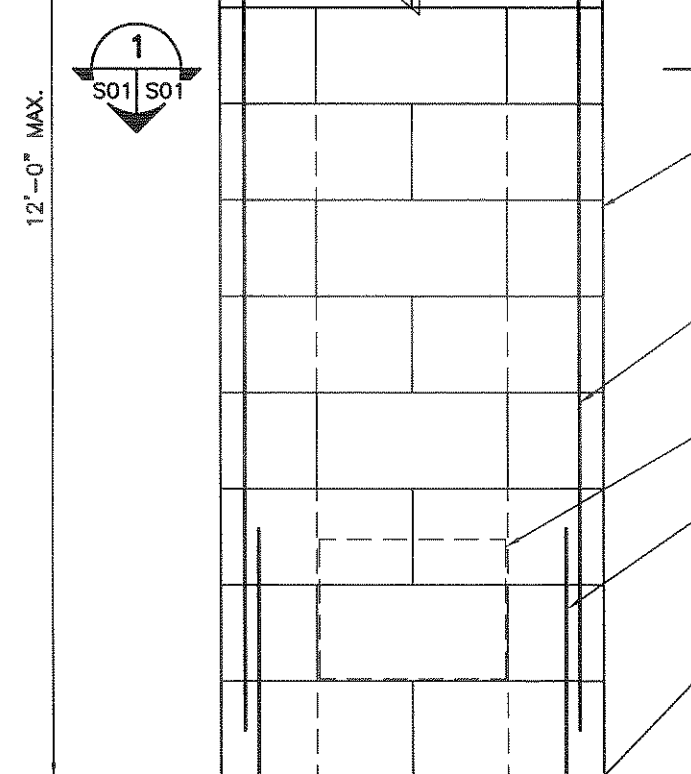
**1 SECTION**  
3/8" = 1'-0"



PRECAST CHIMNEY CAP TO SUIT



**2 SECTION**  
3/8" = 1'-0"



12'-0" MAX.

**1 SECTION**  
3/8" = 1'-0"

8"x8"x16" LIGHT WEIGHT MASONRY BLOCK. PROVIDE WEEP HOLE AT BOTTOM EA. SIDE (USE LIME/CEMENT MORTAR MIX)

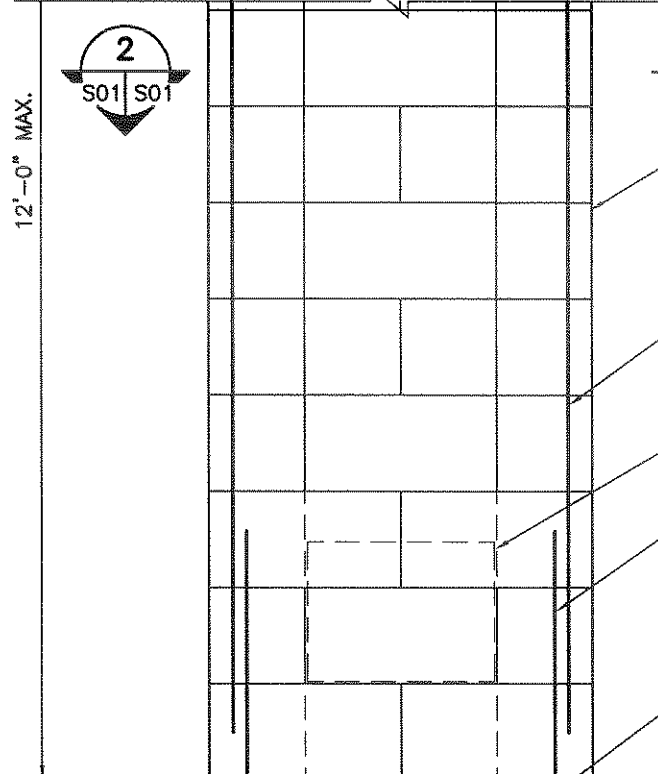
CONCRETE FILLED CORNERS WITH 10M BAR VERTICAL IN EA. CORNER LAP JOINTS 18" MIN.

12"x16" ACCESS HATCH ONE SIDE ONLY

10Mx4"x24" HOOKS EACH CORNER

10M HOOKS @ 8" O/C, BW, TOP (2"x4"x30"x4"x2")

BACKFILL AS REQ'D



12'-0" MAX.

**2 SECTION**  
3/8" = 1'-0"

8"x8"x16" LIGHT WEIGHT MASONRY BLOCK. PROVIDE WEEP HOLE AT BOTTOM EA. SIDE (USE LIME/CEMENT MORTAR MIX)

CONCRETE FILLED CORNERS WITH 10M BAR VERTICAL IN EA. CORNER LAP JOINTS 18" MIN.

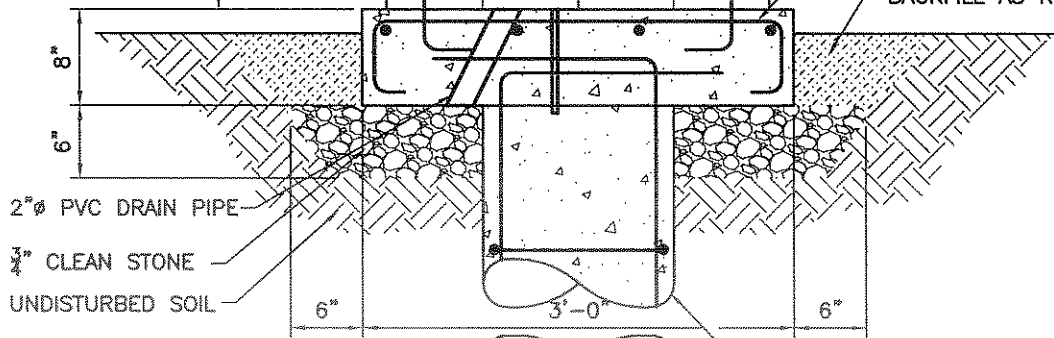
12"x16" ACCESS HATCH ONE SIDE ONLY

10Mx4"x24" HOOKS EACH CORNER

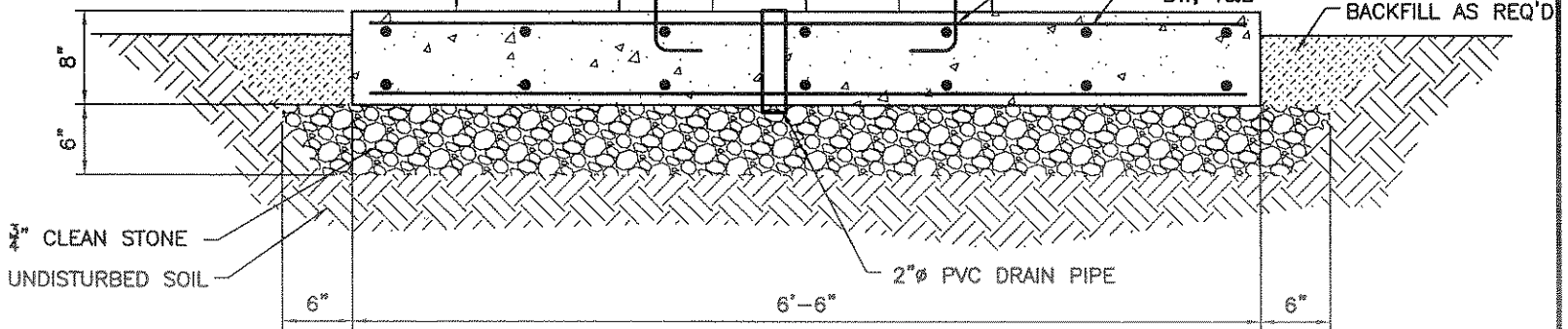
10M HOOKS @ 8" O/C

10M @ 12" O/C, BW, T&B

BACKFILL AS REQ'D



**OPTION 1**  
3/4" = 1'-0"



**OPTION 2**  
3/4" = 1'-0"

**NOTES:**

CIP SHALL USE TYPE 50 SULPHATE RESISTANT CEMENT MIX DESIGN FOR 30 MPa WITH MAXIMUM 3/4" AGGREGATE AND 4" SLUMP.

**ACR & Associates Inc.**

Engineers & Project Managers

223 Glenbush Street,  
Winnipeg, Canada R3R 0N9

**MANITOBA NATURALISTS SOCIETY  
CHIMNEY SWIFT NESTING STRUCTURE**

DATE: 2008-08-18	SCALE: AS NOTED	JOB NO.: ACR-3	FILE NO.: ACR-3
DRAWN BY: DC	DESIGNED BY: A.C.R	CHECKED BY: A.C.R	DWG. NO.: S01